



# AC Isolation Switch

EAS80 Series 800V 125A

Leading Manufacturer Protects Solar Power Safety

Rev10.0 2024/06/22



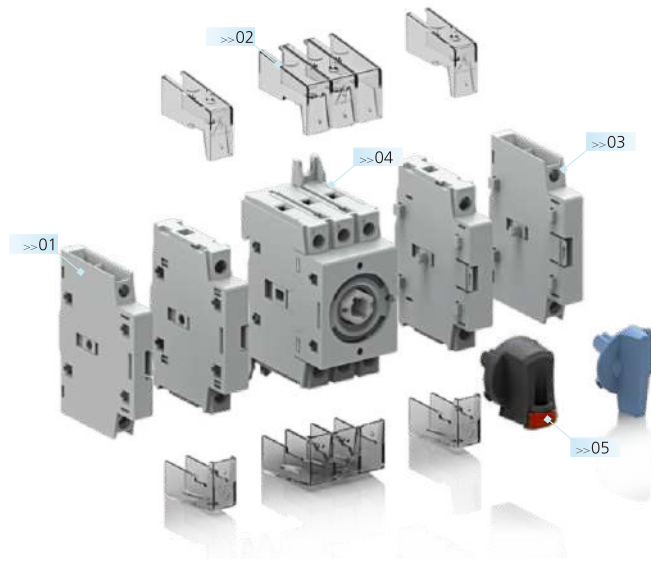
# AC ISOLATION SWITCH

## EAS80 SERIES

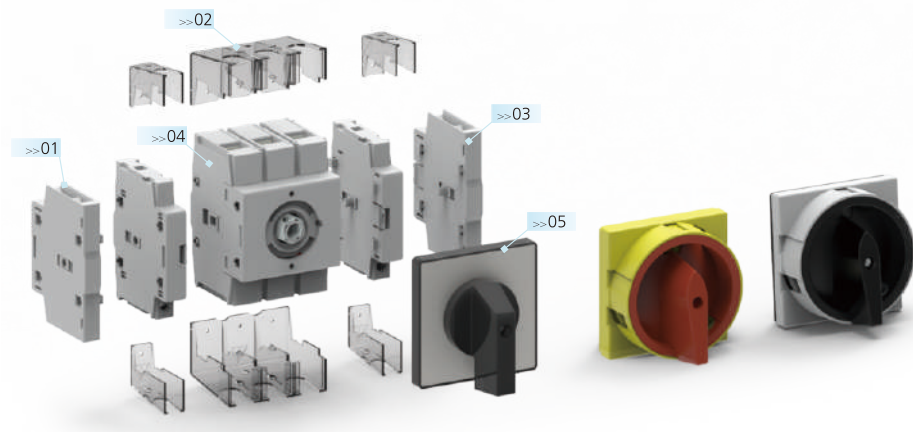
AC Isolator 800V 125A



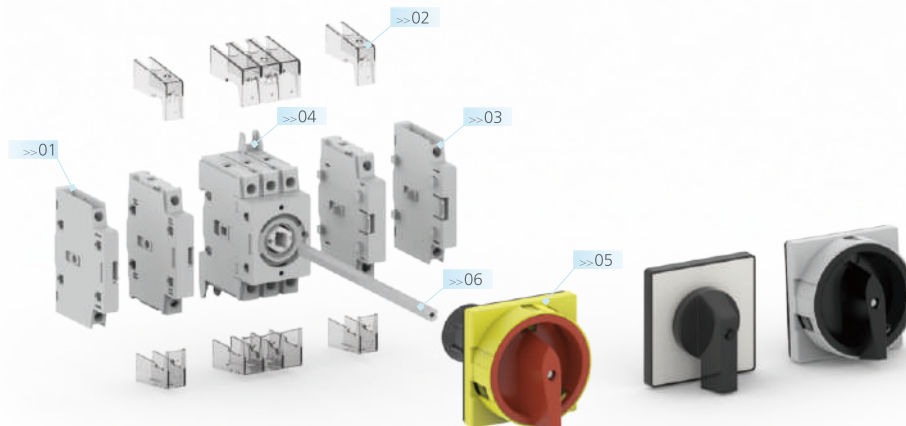
## EAS80-DB AC Isolator Din-Rail Mounting



## EAS80-PM AC Isolator Panel Mounting

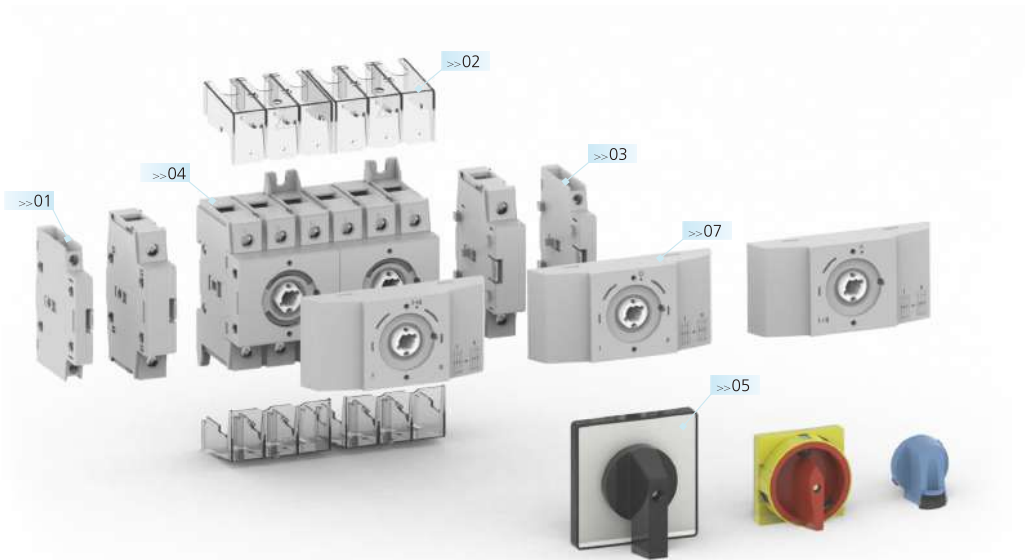


## EAS80-DC AC Isolator Door Interlock



# AC ISOLATION SWITCH

## Mechanical Combination System



Mounting and removal of the fourth pole and auxiliary contact are quick and simple tool-free.

### 01 Add-on Auxiliary Contacts

The isolating switch adopts the same auxiliary contact, and the auxiliary contact and the main pole of the switch act at the same time. A normally open contact with pre-disconnect function can be provided as required.

The isolation switch can be installed with up to four auxiliary accessories (2 on the right, 2 on the left)

### 02 Terminal shrouds

The isolation switch terminal shroud has a simple appearance design, high-quality transparent PC material, flame-retardant, high strength, no color change after long-term use, high-quality waterproof and easy to install.

### 03 Side Mount Add-on Fourth Pole

Simultaneous or early contact operation of the fourth pole with respect to the switch disconnecter poles.

### 04 Switch body

ONCCY switch adopts compression contact opening and closing technology, and has the function of complete disconnection indication. It is an isolator, a breaker or a switch, and with interlock mechanism, it can be to an exchange switch.

### 05 Rotating Handle Parts

Rotating handle, with anti-misoperation padlock design to prevent misoperation, safe and reliable; using high-quality flame-retardant materials, insulation and impact resistance; elegant and stylish design, beautiful and durable.

### 06 Rod extension

High-carbon steel material, beautiful and corrosion-resistant; coupled with high-temperature treatment, even if sufficient pressure is applied, it can maintain good smoothness; the products are standardized, easy to assemble, low cost, corrosion resistant, and cost-effective.

### 07 Mechanical interlocking mechanism

The interior is made of high-conductivity nickel-phosphorus copper, which has good conductivity and longer service life. The shell is made of high-strength flame-retardant PC material, which is fire-resistant and flame-retardant, in one step!

## Product code

### Switch-disconnectors

<b>EAS80-</b>	<b>PM</b>	<b>80</b>	<b>R</b>	<b>-3</b>	<b>RY</b>	<b>-IM2</b>
1	2	3	4	5	6	7

No	Description	Code
1	Type of Switch disconnectors	EAS80-
2	Installation Form	DB:Rail mounting      DC:Door interlocked      ELA:Aluminum enclosure box PM:Panel mounting      EL:Plastic enclosure box      ELL:Iron enclosure box
3	Rated current(A)	16:16A    20:20A    25:25A    32:32A    40:40A    63:63A 80:80A    80H:100A    100:100A    125:125A
4	Knob Lock	Nil:Without lock      R:With lock
5	Poles	2 2P    3 3P    4 4P    3 6P <sup>①</sup> 4 8P <sup>①</sup>
6	Knob color	Nil:Blue knob      BW:Black/white rotating handle G:Gray knob      Optional with lock RY:Rotating red/yellow handle      BB:Rotating black/black handle With lock      without lock
7	Inter lock mechanism	IM2: sync      IM31: normal close      IM32: normal open

① For interlock mechanism

### Side Mount Add-on Poles

<b>EAS80-</b>	<b>PS</b>	<b>R</b>	<b>16</b>
1	2	3	4

No	Description	Code
1	Type of Switch disconnectors	EAS80-
2	Add on pole code	PS Sync disconnected      PD Early-making PN N terminal      PE Protecting earthing
3	Mounting type	Nil DB / DC / EL front installation      R PM , reverse installation form
4	Rated current(A)	16:16A    20:20A    25:25A    32:32A    40:40A    63:63A 80:80A    80H:100A    100:100A    125:125A

### Add-on auxiliary contacts

<b>EAS80-</b>	<b>P1</b>	<b>R</b>
1	2	3

No	Description	Code
1	Type of Switch disconnectors	EAS80-
2	Auxiliary contacts Code	P1 1NO+1NC      P2 2NO
3	Mounting type	Nil DB / DC / EL , front installation form      R PM reverse installation form



# AC ISOLATION SWITCH

## EAS80-DB AC Isolator Din-Rail Mounting

		35.5mm					52.5mm			69.1mm	
											
		<b>EAS80-DB40R</b>					<b>EAS80-DB80R</b>			<b>EAS80-DB125R</b>	
Type	3P	EAS80-DB16R-3	EAS80-DB20R-3	EAS80-DB25R-3	EAS80-DB32R-3	EAS80-DB40R-3	EAS80-DB63R-3	EAS80-DB80R-3	EAS80-DB80HR-3	EAS80-DB100R-3	EAS80-DB125R-3
	4P	EAS80-DB16R-4	EAS80-DB20R-4	EAS80-DB25R-4	EAS80-DB32R-4	EAS80-DB40R-4	EAS80-DB63R-4	EAS80-DB80R-4	EAS80-DB80HR-4	EAS80-DB100R-4	EAS80-DB125R-4
											
		<b>EAS80-DB40</b>					<b>EAS80-DB80</b>			<b>EAS80-DB125</b>	
Type	3P	EAS80-DB16-3	EAS80-DB20-3	EAS80-DB25-3	EAS80-DB32-3	EAS80-DB40-3	EAS80-DB63-3	EAS80-DB80-3	EAS80-DB80H-3	EAS80-DB100-3	EAS80-DB125-3
	4P	EAS80-DB16-4	EAS80-DB20-4	EAS80-DB25-4	EAS80-DB32-4	EAS80-DB40-4	EAS80-DB63-4	EAS80-DB80-4	EAS80-DB80H-4	EAS80-DB100-4	EAS80-DB125-4

## EAS80-PM AC Isolator Panel Mounting

		35.5mm					52.5mm			69.1mm	
											
		<b>EAS80-PM40R-RY</b>					<b>EAS80-PM80R-RY</b>			<b>EAS80-PM125R-RY</b>	
Type	3P	EAS80-PM16R-3RY	EAS80-PM20R-3RY	EAS80-PM25R-3RY	EAS80-PM32R-3RY	EAS80-PM40R-3RY	EAS80-PM63R-3RY	EAS80-PM80R-3RY	EAS80-PM80HR-3RY	EAS80-PM100R-3RY	EAS80-PM125R-3RY
	4P	EAS80-PM16R-4RY	EAS80-PM20R-4RY	EAS80-PM25R-4RY	EAS80-PM32R-4RY	EAS80-PM40R-4RY	EAS80-PM63R-4RY	EAS80-PM80R-4RY	EAS80-PM80HR-4RY	EAS80-PM100R-4RY	EAS80-PM125R-4RY
											
		<b>EAS80-PM40R-BW</b>					<b>EAS80-PM80R-BW</b>			<b>EAS80-PM125R-BW</b>	
Type	3P	EAS80-PM16R-3BW	EAS80-PM20R-3BW	EAS80-PM25R-3BW	EAS80-PM32R-3BW	EAS80-PM40R-3BW	EAS80-PM63R-3BW	EAS80-PM80R-3BW	EAS80-PM80HR-3BW	EAS80-PM100R-3BW	EAS80-PM125R-3BW
	4P	EAS80-PM16R-4BW	EAS80-PM20R-4BW	EAS80-PM25R-4BW	EAS80-PM32R-4BW	EAS80-PM40R-4BW	EAS80-PM63R-4BW	EAS80-PM80R-4BW	EAS80-PM80HR-4BW	EAS80-PM100R-4BW	EAS80-PM125R-4BW

## EAS80-PM AC Isolator Panel Mounting

		35.5mm					52.5mm			69.1mm	
		<b>EAS80-PM40-BB</b>					<b>EAS80-PM80-BB</b>			<b>EAS80-PM125-BB</b>	
Type	3P	EAS80-PM16-3BB	EAS80-PM20-3BB	EAS80-PM25-3BB	EAS80-PM32-3BB	EAS80-PM40R-3BB	EAS80-PM63-3BB	EAS80-PM80-3BB	EAS80-PM80H-3BB	EAS80-PM100-3BB	EAS80-PM125-3BB
	4P	EAS80-PM16-4BB	EAS80-PM20-4BB	EAS80-PM25-4BB	EAS80-PM32-4BB	EAS80-PM40R-4BB	EAS80-PM63-4BB	EAS80-PM80-4BB	EAS80-PM80H-4BB	EAS80-PM100-4BB	EAS80-PM125-4BB

## EAS80-DC AC Isolator Door Interlock

		35.5mm					52.5mm			69.1mm	
		<b>EAS80-DC40-BB</b>					<b>EAS80-DC80-BB</b>			<b>EAS80-DC125-BB</b>	
Type	3P	EAS80-DC16-3BB	EAS80-DC20-3BB	EAS80-DC25-3BB	EAS80-DC32-3BB	EAS80-DC40R-3BB	EAS80-DC63-3BB	EAS80-DC80-3BB	EAS80-DC80H-3BB	EAS80-DC100-3BB	EAS80-DC125-3BB
	4P	EAS80-DC16-4BB	EAS80-DC20-4BB	EAS80-DC25-4BB	EAS80-DC32-4BB	EAS80-DC40R-4BB	EAS80-DC63-4BB	EAS80-DC80-4BB	EAS80-DC80H-4BB	EAS80-DC100-4BB	EAS80-DC125-4BB
		<b>EAS80-DC40R-RY</b>					<b>EAS80-DC80R-RY</b>			<b>EAS80-DC125R-RY</b>	
Type	3P	EAS80-DC16R-3RY	EAS80-DC20R-3RY	EAS80-DC25R-3RY	EAS80-DC32R-3RY	EAS80-DC40R-3RY	EAS80-DC63R-3RY	EAS80-DC80R-3RY	EAS80-DC80HR-3RY	EAS80-DC100R-3RY	EAS80-DC125R-3RY
	4P	EAS80-DC16R-4RY	EAS80-DC20R-4RY	EAS80-DC25R-4RY	EAS80-DC32R-4RY	EAS80-DC40R-4RY	EAS80-DC63R-4RY	EAS80-DC80R-4RY	EAS80-DC80HR-4RY	EAS80-DC100R-4RY	EAS80-DC125R-4RY
		<b>EAS80-DC40R-BW</b>					<b>EAS80-DC80R-BW</b>			<b>EAS80-DC125R-BW</b>	
Type	3P	EAS80-DC16R-3BW	EAS80-DC20R-3BW	EAS80-DC25R-3BW	EAS80-DC32R-3BW	EAS80-DC40R-3BW	EAS80-DC63R-3BW	EAS80-DC80R-3BW	EAS80-DC80HR-3BW	EAS80-DC100R-3BW	EAS80-DC125R-3BW
	4P	EAS80-DC16R-4BW	EAS80-DC20R-4BW	EAS80-DC25R-4BW	EAS80-DC32R-4BW	EAS80-DC40R-4BW	EAS80-DC63R-4BW	EAS80-DC80R-4BW	EAS80-DC80HR-4BW	EAS80-DC100R-4BW	EAS80-DC125R-4BW

# AC ISOLATION SWITCH

## EAS80 Series AC Isolator 800V 125A




### Technical Data

Current(≤40°C) Agreed heating current		16A	20A	25A	32A	40A	63A	80A	100A	100A	125A
IEC rated operational current Ie AC-21A/B(≤690V)		16A/16A	20A/20A	25A/25A	32A/32A	40A/40A	63A/63A	80A/80A	100A/100A	100A/100A	125A/125A
IEC rated operational current Ie AC-22A/B	415V	16A/16A	20A/20A	25A/25A	32A/32A	40A/40A	63A/63A	80A/80A	100A/100A	100A/100A	125A/125A
	500V					32A/40A	40A/63A	63A/80A	63A/80A	80A/100A	100A/125A
	690V										
IEC rated operational current Ie AC-23A/B	415V	16A/16A	20A/20A	25A/25A	32A/32A	40A/40A	63A/63A	80A/80A	100A/100A	100A/100A	125A/125A
	500V				25A/25A		63A/63A			80A/80A	100A/100A
	690V				25A/25A		40A/40A			63/63A	63A/63A
IEC rated operational current Ie DC-21B	110VDC	16A <sup>①</sup>	20A <sup>①</sup>	25A <sup>①</sup>	32A <sup>①</sup>	40A <sup>①</sup>	63A <sup>①</sup>	80A <sup>①</sup>	100A <sup>①</sup>	100A <sup>①</sup>	125A <sup>①</sup>
	250VDC	16A <sup>②</sup>	20A <sup>②</sup>	25A <sup>②</sup>	32A <sup>②</sup>	40A <sup>②</sup>	63A <sup>②</sup>	80A <sup>②</sup>	100A <sup>②</sup>	100A <sup>②</sup>	125A <sup>②</sup>
	400VDC	16A <sup>③</sup>	20A <sup>③</sup>	25A <sup>③</sup>	25A <sup>③</sup>		40A <sup>③</sup>			63A <sup>③</sup>	
IEC rated operational power (3 phase) AC-23A/B	415V	7.5KW	9KW	11KW	15KW	18.5KW	30KW	37KW	45KW	55KW	
	500V		11KW	15KW							
	690V										
Short circuit withstand current of fuse protection (KA rms expected value)											
Fuse class	415V	16A	20A	25A	32A	40A	63A	80A	100A		125A
Rated conditional short-circuit current	415V	10kA					15kA			20kA	
Short circuit withstand current of circuit breaker for protection, any circuit breaker that can trip within 0.3s											
Rated short-time withstand current	0.3S	2.5kA					3kA			5kA	
Short circuit performance (unprotected)											
Rated short-time withstand current	1S	1.26kA					1.5kA			2.75kA	
Rated short circuit making capacity		1.8kA					2.1kA			3.9kA	
Cable cross section		1.5~10mm <sup>2</sup>					2.5~35mm <sup>2</sup>			10~70mm <sup>2</sup>	
Rated insulation voltage Ui		800V									
Rated impulse withstand voltage Uimp		8kV									
Mechanical Endurance		100000									
Ambient Temperature		Operating -25~+55°C					Storage -40~+70°C				

- ① Each pole is used as positive and negative    ② Three poles in series , two poles in series for positive , one pole for negative  
 ③ Four poles in series , two poles in series for positive , other two poles in series for negative



# Mechanical Combination System

		105mm	105mm	105mm
		Mechanical combination system: for 6/8 pole	Mechanical interlock mechanism: for 3/4 pole I-I-II conversion	Mechanical interlock mechanism: for 3/4 pole I-O-II conversion
				
		<b>EAS80-DB80-IM2</b>	<b>EAS80-DB80-IM31</b>	<b>EAS80-DB80-IM32</b>
Type	3P	EAS80-DB63-3-IM2	EAS80-DB80-3-IM31	EAS80-DB80-3-IM32
	4P	EAS80-DB63-4-IM2	EAS80-DB80-4-IM31	EAS80-DB80-4-IM32







## Technical Data

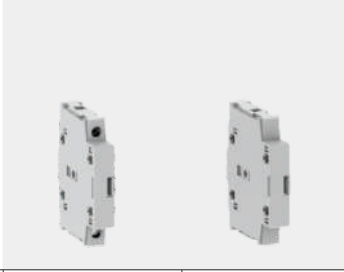
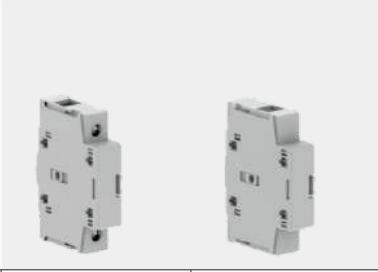




Current(≤40°C)										
Agreed heating current		63A	80A	100A	63A	80A	100A	63A	80A	100A
IEC rated operational current I <sub>e</sub> AC-21A/B(≤690V)		63A/63A	80A/80A	100A/100A	63A/63A	80A/80A	100A/100A	63A/63A	80A/80A	100A/100A
IEC rated operational current I <sub>e</sub> AC-22A/B	415V	63A/63A	80A/80A	100A/100A	63A/63A	80A/80A	100A/100A	63A/63A	80A/80A	100A/100A
	500V	63A/63A	80A/80A	100A/100A	63A/63A	80A/80A	100A/100A	63A/63A	80A/80A	100A/100A
	690V	40A/63A	63A/80A	63A/80A	40A/63A	63A/80A	63A/80A	40A/63A	63A/80A	63A/80A
IEC rated operational current I <sub>e</sub> AC-23A/B	415V	63A/63A	80A/80A	100A/100A	63A/63A	80A/80A	100A/100A	63A/63A	80A/80A	100A/100A
	500V	63A/63A			63A/63A			63A/63A		
	690V	40A/40A			40A/40A			40A/40A		
IEC rated operational current I <sub>e</sub> DC-21B	110VDC	63A <sup>①</sup>	80A <sup>①</sup>	100A <sup>①</sup>	63A <sup>①</sup>	80A <sup>①</sup>	100A <sup>①</sup>	63A <sup>①</sup>	80A <sup>①</sup>	100A <sup>①</sup>
	250VDC	63A <sup>②</sup>	80A <sup>②</sup>	100A <sup>②</sup>	63A <sup>②</sup>	80A <sup>②</sup>	100A <sup>②</sup>	63A <sup>②</sup>	80A <sup>②</sup>	100A <sup>②</sup>
	400VDC	40A <sup>③</sup>			40A <sup>③</sup>			40A <sup>③</sup>		
IEC rated operational power (3 phase) AC-23A/B	415V									
	500V	30KW	37KW	45KW	30KW	37KW	45KW	30KW	37KW	45KW
	690V									
Short circuit withstand current of fuse protection (kA rms expected value)										
Fuse class	415V	63A	80A	100A	63A	80A	100A	63A	80A	100A
Rated conditional short-circuit current	415V	15kA								
Short circuit withstand current of circuit breaker for protection, any circuit breaker that can trip within 0.3s										
Rated short-time withstand current	0.3S	3kA								
Short circuit performance (unprotected)										
Rated short-time withstand current	1S	1.5kA								
Rated short circuit making capacity		1.4kA								
Cable cross section		2.5~35mm <sup>2</sup>								
Rated insulation voltage U <sub>i</sub>		800V								
Rated impulse withstand voltage U <sub>imp</sub>		8kV								
Mechanical Endurance		100000								
Ambient Temperature		Operating -25~+55°C				Storage -40~+70°C				

- ① Each pole is used as positive and negative    ② Three poles in series , two poles in series for positive , one pole for negative  
 ③ Four poles in series , two poles in series for positive , other two poles in series for negative

# AC ISOLATION SWITCH

## EAS80 AC Isolator Add on

	EAS80-PS40 EAS80-PSR40		EAS80-PS80 EAS80-PSR80		EAS80-PS125 EAS80-PSR125	
Fourth pole, simultaneous closing operation as switch poles						
Type	EAS80-PS40	EAS80-PSR40	EAS80-PS80	EAS80-PSR80	EAS80-PS125	EAS80-PSR125
Ith	40A	40A	80A	80A	125A	125A
Width	11mm	11mm	16mm	16mm	21.3mm	21.3mm
Applied to	EAS80-16~ EAS80-40	EAS80-PM16~ EAS80-PM40	EAS80-63~ EAS80-80	EAS80-PM63~ EAS80-PM80	EAS80-100~ EAS80-125	EAS80-PM100~ EAS80-PM125
Function						

	EAS80-PD40 EAS80-PDR40		EAS80-PD80 EAS80-PDR80		EAS80-PD125 EAS80-PDR125	
Fourth pole, early-make closing operation with respect to switch poles						
Type	EAS80-PD40	EAS80-PDR40	EAS80-PD80	EAS80-PDR80	EAS80-PD125	EAS80-PDR125
Ith	40A	40A	80A	80A	125A	125A
Width	11mm	11mm	16mm	16mm	21.3mm	21.3mm
Applied to	EAS80-16~ EAS80-40	EAS80-PM16~ EAS80-PM40	EAS80-63~ EAS80-80	EAS80-PM63~ EAS80-PM80	EAS80-100~ EAS80-125	EAS80-PM100~ EAS80-PM125
Function						

# EAS80 AC Isolator Add on

Neutral plate terminal

	EAS80-PN40 EAS80-PNR40		EAS80-PN80 EAS80-PNR80		EAS80-PN125 EAS80-PNR125	
Type	EAS80-PN40	EAS80-PNR40	EAS80-PN80	EAS80-PNR80	EAS80-PN125	EAS80-PNR125
Ith	40A	40A	80A	80A	125A	125A
Width	11mm	11mm	16mm	16mm	21.3mm	21.3mm
Applied to	EAS80-16~ EAS80-40	EAS80-PM16~ EAS80-PM40	EAS80-63~ EAS80-80	EAS80-PM63~ EAS80-PM80	EAS80-100~ EAS80-125	EAS80-PM100~ EAS80-PM125
Function						

Earth/Ground Plate terminal

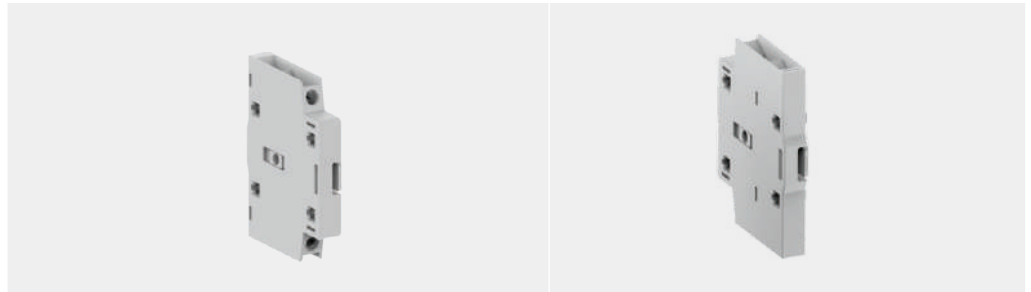
	EAS80-PE40 EAS80-PER40		EAS80-PE80 EAS80-PER80		EAS80-PE125 EAS80-PER125	
Type	EAS80-PE40	EAS80-PER40	EAS80-PE80	EAS80-PER80	EAS80-PE125	EAS80-PER125
Ith	40A	40A	80A	80A	125A	125A
Width	11mm	11mm	16mm	16mm	21.3mm	21.3mm
Applied to	EAS80-16~ EAS80-40	EAS80-PM16~ EAS80-PM40	EAS80-63~ EAS80-80	EAS80-PM63~ EAS80-PM80	EAS80-100~ EAS80-125	EAS80-PM100~ EAS80-PM125
Function						

# AC ISOLATION SWITCH

## EAS80 AC Isolator Add on

### Add-on Auxiliary Contacts

One only add-on block suitable for all the EAS80 switch disconnectors, having simultaneous operation with the switch poles.



Type	EAS80-P1	EAS80-P2	EAS80-P1R	EAS80-P2R
Contacts	1NO+1NC	2NO	1NO+1NC	2NO
Width	9mm	9mm	9mm	9mm
Parameter	AC-13: 10A, 230V~ AC-15: 6A,230V~		AC-13: 10A, 230V~ AC-15: 6A,230V~	
Function	1NO+1NC 13 21  14 22	2NO 13 23  14 24	1NO+1NC 13 21  14 22	2NO 13 23  14 24
Description	For DB , DC , EL ,ELA			For PM

### Terminal shroud



Type	EAS80-TS40-3	EAS80-TS40-1	EAS80-TS80-3	EAS80-TS80-1	EAS80-TS125-3	EAS80-TS125-1
Poles	3P	1P	3P	1P	3P	1P
Applied to	For the main body switch of 16A to 40A	For the fourth pole of 16A to 40A	For the main body switch of 63A to 80A	For the fourth pole of 63A to 80A	For the main body switch of 100A to 125A	For the fourth pole of 100A to 125A

# EAS80 AC Isolator Accessories

## Mechanical combination system

Mechanical interlock mechanism

## Rod extension

Type	EAS80-80-IM2	EAS80-80-IM31	EAS80-80-IM32	EAS80-SF150	EAS80-SF200	EAS80-SF320
Applied to	For the main body switch of 63A to 80A	For the main body switch of 63A to 80A	For the main body switch of 63A to 80A	150mm	200mm	320mm
Description	Mechanical combination system: for 6/8	Mechanical interlock mechanism: for 3/4 pole I-II conversion	Mechanical interlock mechanism: for 3/4 pole I-O-II conversion	Length customized		

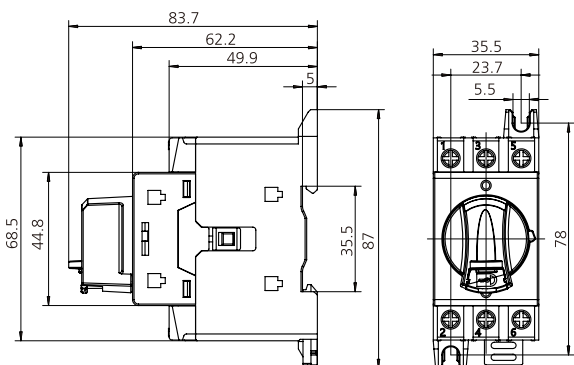
## Rotating Handle Parts

Type	80-PM-BB	80-PMR-RY	80-PMR-BW	80-DC-BB	80-DCR-RY	80-DCR-BW	80-RBR	80-DBR	80-DB
Fixing method	Screw	Screw	Screw	Nut/Screw	Nut/Screw	Nut/Screw	Clasp	Clasp	Clasp
Size	□ 64mm	□ 64mm	□ 64mm	□ 64mm	□ 64mm	□ 64mm			
Description	For PM Panel mounting			For DC Door interlocked mounting			For DB Rail mounting		
	<p>Panel mounting</p>			<p>Door interlocked mounting</p>			<p>Rail mounting</p>		



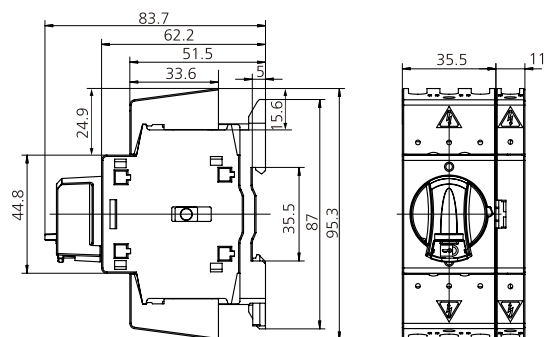
# AC ISOLATION SWITCH

## Overall and Installation Dimension(mm)



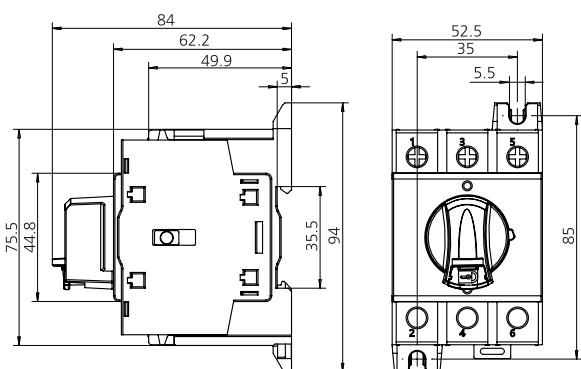
EAS80-DB16R-3  
EAS80-DB25R-3

EAS80-DB32R-3  
EAS80-DB40R-3



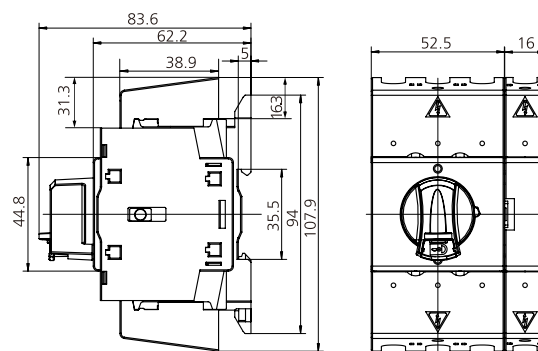
EAS80-DB16R-4  
EAS80-DB25R-4

EAS80-DB32R-4  
EAS80-DB40R-4



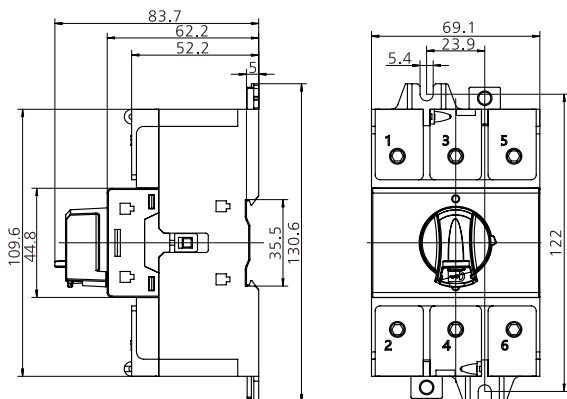
EAS80-DB63R-3

EAS80-DB80R-3



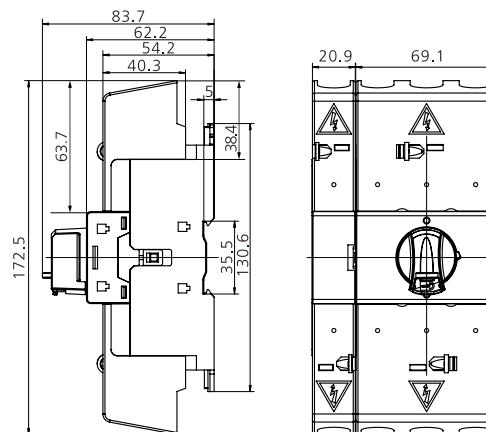
EAS80-DB63R-4

EAS80-DB80R-4



EAS80-DB100R-3

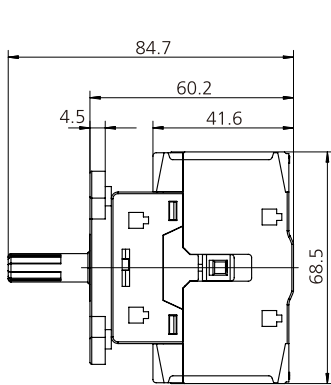
EAS80-DB125R-3



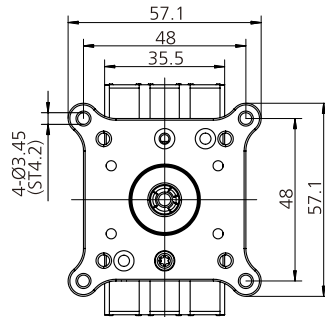
EAS80-DB100R-4

EAS80-DB125R-4

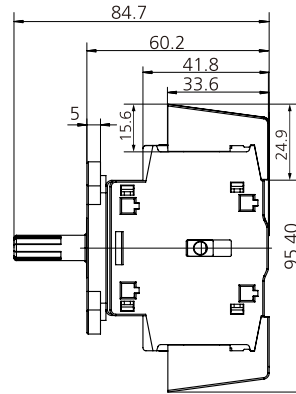
## Overall and Installation Dimension(mm)



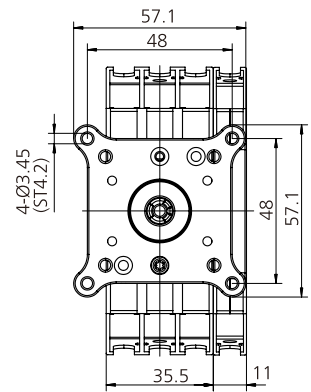
EAS80-PM16R-3  
EAS80-PM25R-3



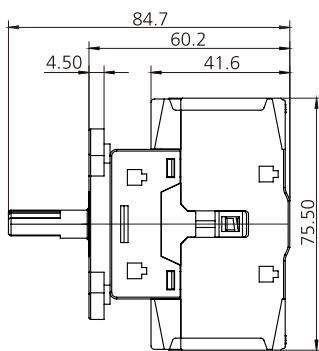
EAS80-PM32R-3  
EAS80-PM40R-3



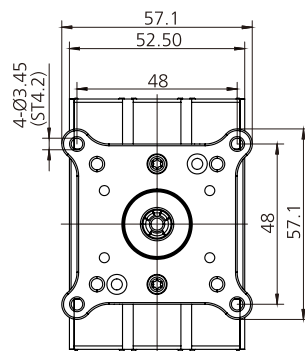
EAS80-PM16R-4  
EAS80-PM25R-4



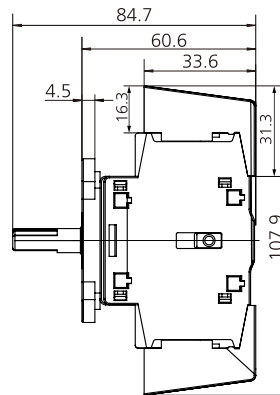
EAS80-PM32R-4  
EAS80-PM40R-4



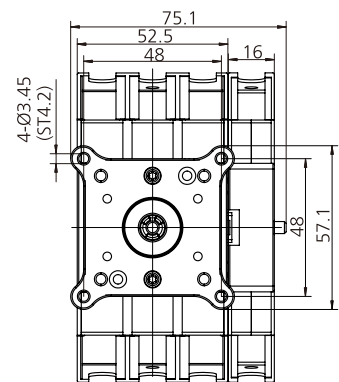
EAS80-PM63R-3



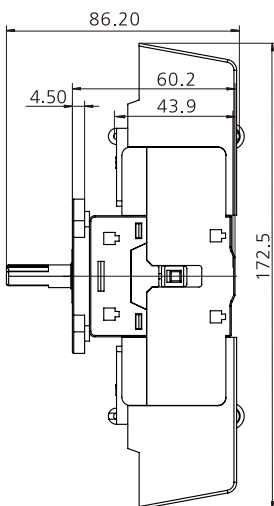
EAS80-PM80R-3



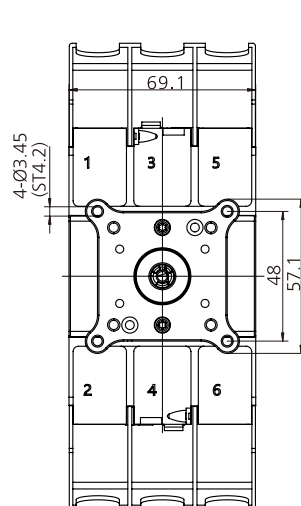
EAS80-PM63R-4



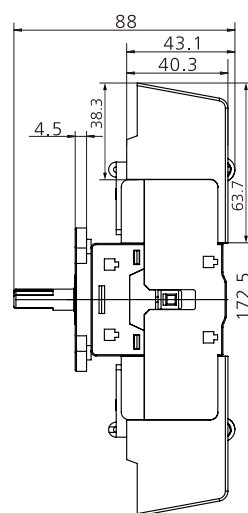
EAS80-PM80R-4



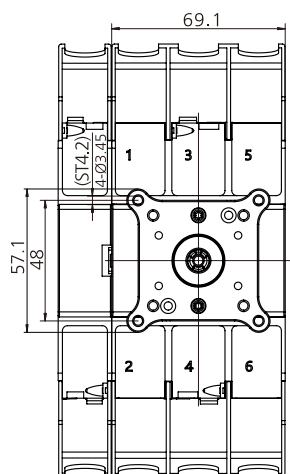
EAS80-PM100R-3



EAS80-PM125R-3



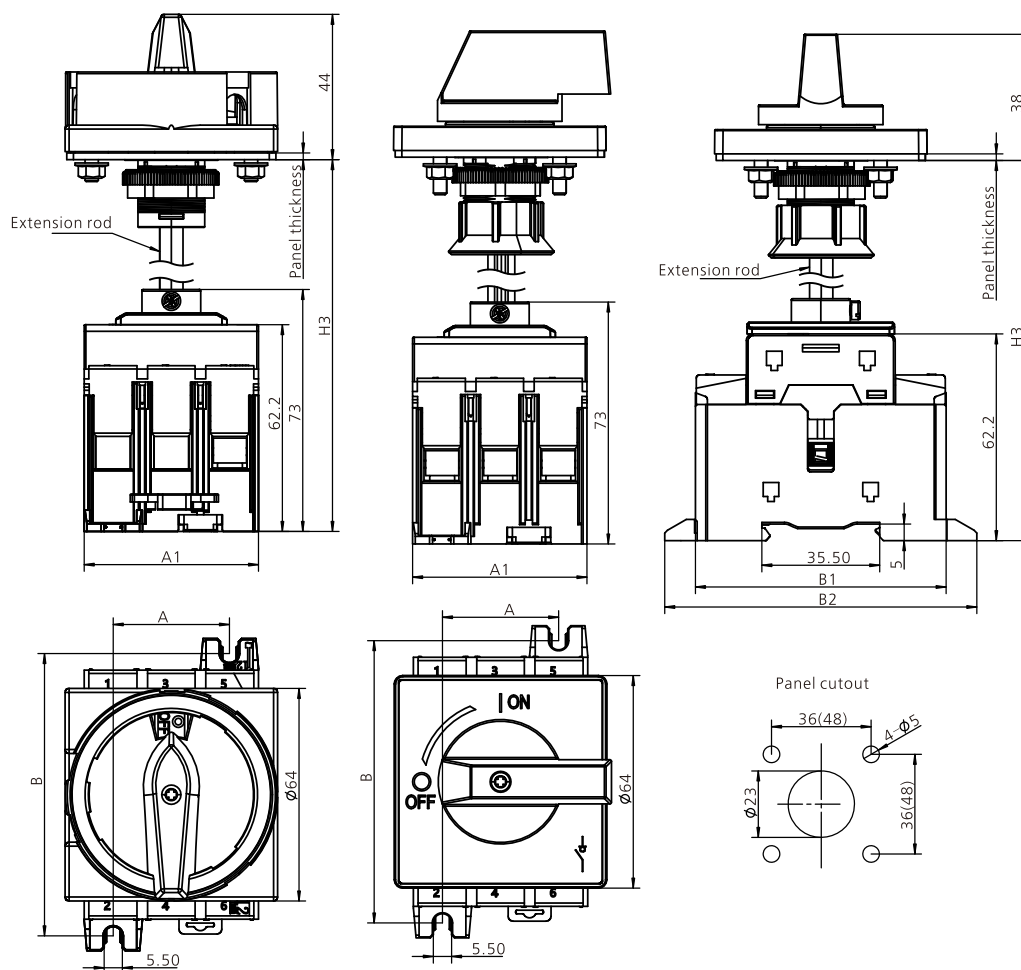
EAS80-PM100R-4



EAS80-PM125R-4

# AC ISOLATION SWITCH

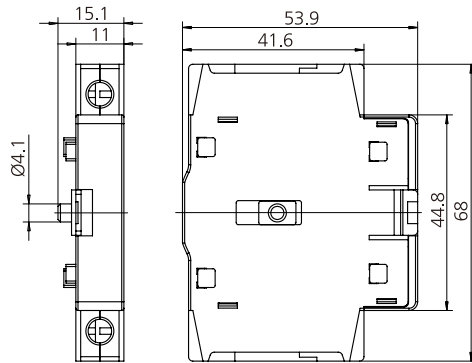
## Overall and Installation Dimension(mm)



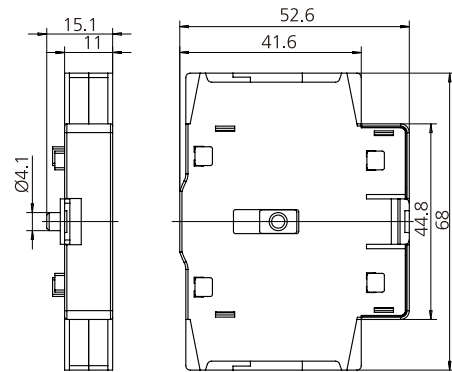
Frame	A	A1	B	B1	B2	H3
EAS80-DB40	23.7	35.5	78	68.5	87	Customized
EAS80-DB80	35	52.5	85	75.5	94	Customized
EAS80-DB125	23.9	69.1	122	109	130.6	Customized

# Overall and Installation Dimension(mm)

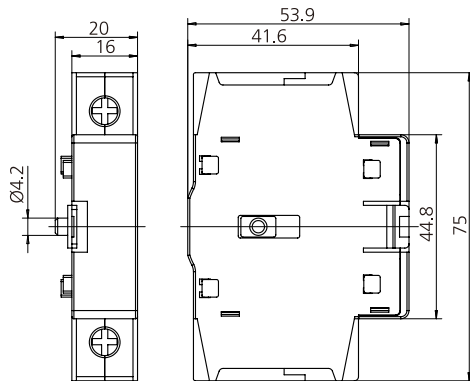
Add on pole



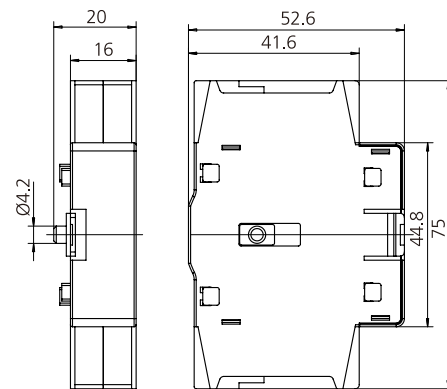
EAS80-PS40    EAS80-PN40  
EAS80-PD40    EAS80-PE40



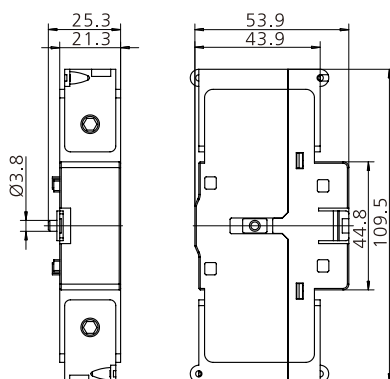
EAS80-PS40R    EAS80-PN40R  
EAS80-PD40R    EAS80-PE40R



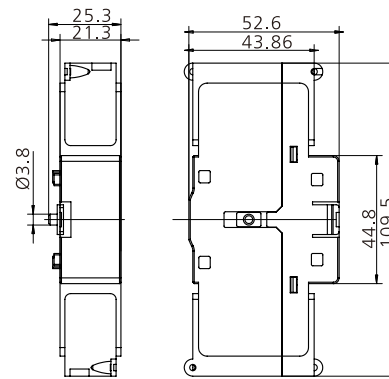
EAS80-PS80    EAS80-PN80  
EAS80-PD80    EAS80-PE80



EAS80-PS80R    EAS80-PN80R  
EAS80-PD80R    EAS80-PE80R



EAS80-PS125    EAS80-PN125  
EAS80-PD125    EAS80-PE125

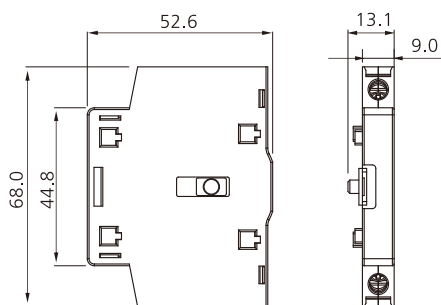


EAS80-PSR125    EAS80-PNR125  
EAS80-PDR125    EAS80-PER125

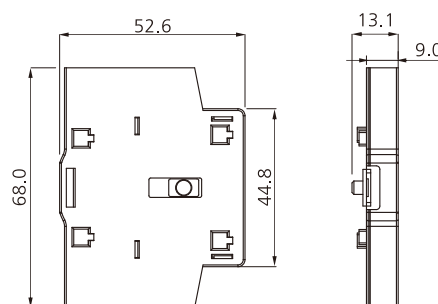
# AC ISOLATION SWITCH

## Overall and Installation Dimension(mm)

Auxiliary contact

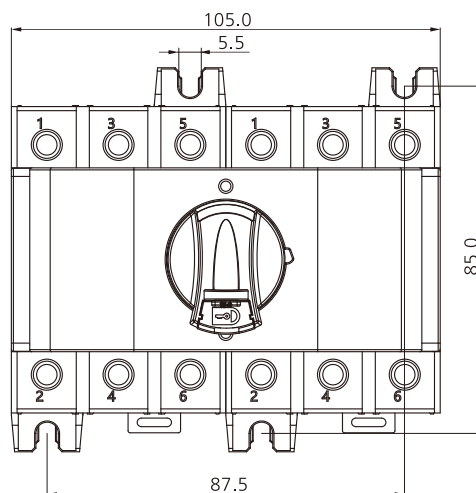
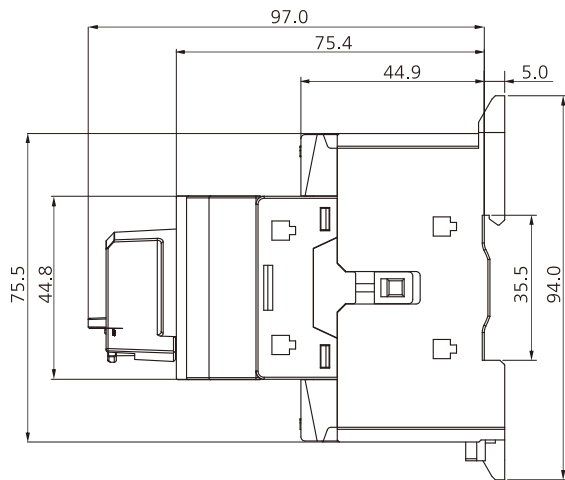


EAS80-P1 EAS80-P2



EAS80-P1R EAS80-P2R

Mechanical combination system





# EAS80-EL AC Isolator Enclosure Box Plastic

EAS80-EL40R

EAS80-EL80R

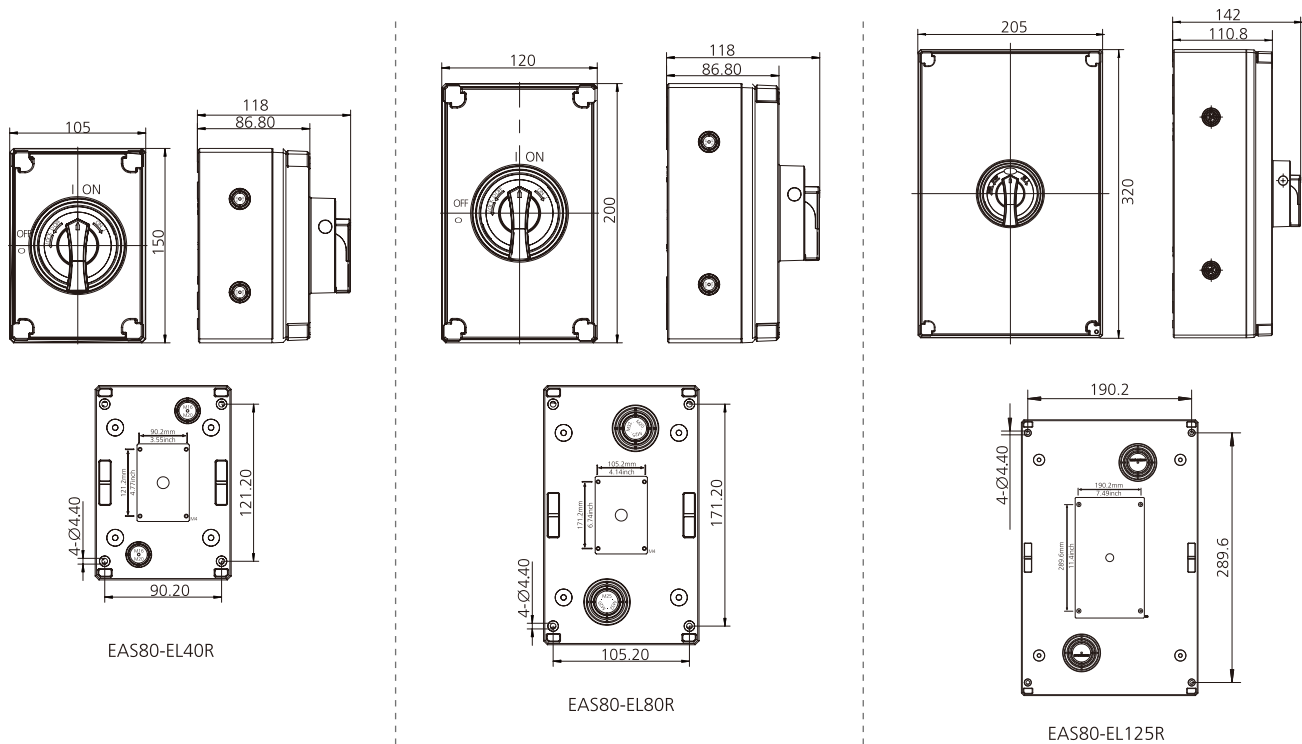
EAS80-EL125R



Type	EAS80-EL40R				EAS80-EL80R			EAS80-EL125R	
Rated Enclosed thermal Current	16A	25A	32A	40A	63A	80A	100A	100A	125A
Components Enclosure	EAS80-DC16	EAS80-DC25	EAS80-DC32	EAS80-DC40	EAS80-DC63	EAS80-DC80	EAS80-DC80H	EAS80-DC100	EAS80-DC125

underdeveloped

## Overall and Installation Dimension(mm)



# AC ISOLATION SWITCH

## EAS80-ELA AC Isolator Enclosure Box Metal

EAS80-ELA40R



EAS80-ELA80R



EAS80-ELA125R



Type	EAS80-ELA40R				EAS80-ELA80R			EAS80-ELA125R	
IEC Conventional free air thermal current Ith AC21A(≤690V)	16A	25A	32A	40A	63A	80A	100A	100A	125A
Components Enclosure	EAS80-DC16	EAS80-DC25	EAS80-DC32	EAS80-DC40	EAS80-DC63	EAS80-DC80	EAS80-DC80H	EAS80-DC100	EAS80-DC125

Overall and Installation Dimension(mm)

